



YLI ELECTRONIC



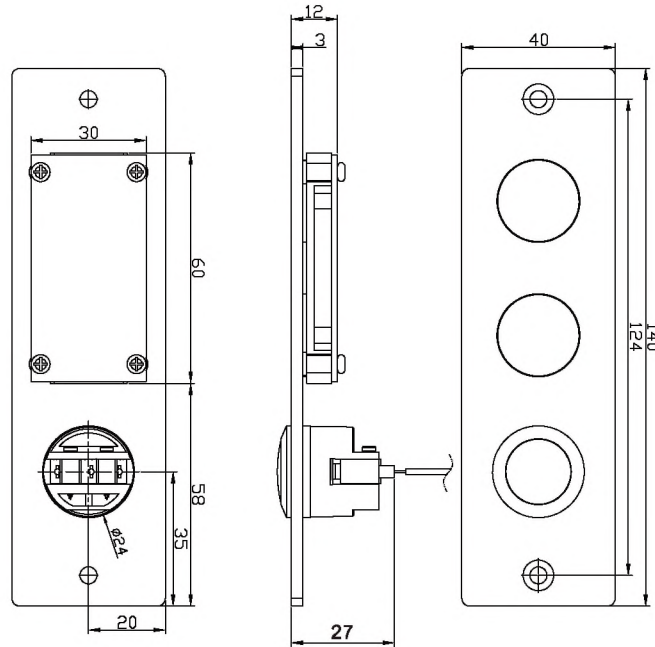
# Door Release Button

## Model: PBK-813(LED)

### Specification

- Size: 140Lx40xW27(mm)
- Input Voltage:12~24VDC
- Current: ≤ 50mA
- Contact:NC(Yellow);NO(Green);COM(White)
- Electric Performance:1A@30VDC
- Lock Signal:NC/COM/NO
- LED Status:  
When NC and COM connect, LED shows green  
When NO and COM connect, LED shows red
- Temperature:-20~+50°C
- Humidity:0~95%RH

### Dimensional Drawing



### Installation & Wiring Diagram

