

## DS-2CE16D8T-IT5E

### 2 MP Ultra Low-Light PoC EXIR Bullet Camera



#### Key Features

- 2.0 megapixel high-performance CMOS
- HD analog output, up to 1080p resolution
- 3.6 mm, 6 mm, 8 mm, 12 mm fixed focal lens
- True Day/Night
- 120 dB true WDR
- OSD menu, DNR, Smart IR
- EXIR 2.0, up to 80 m IR distance
- IP67
- PoC.at
- Up the Coax (HIKVISION-C)

## Specification

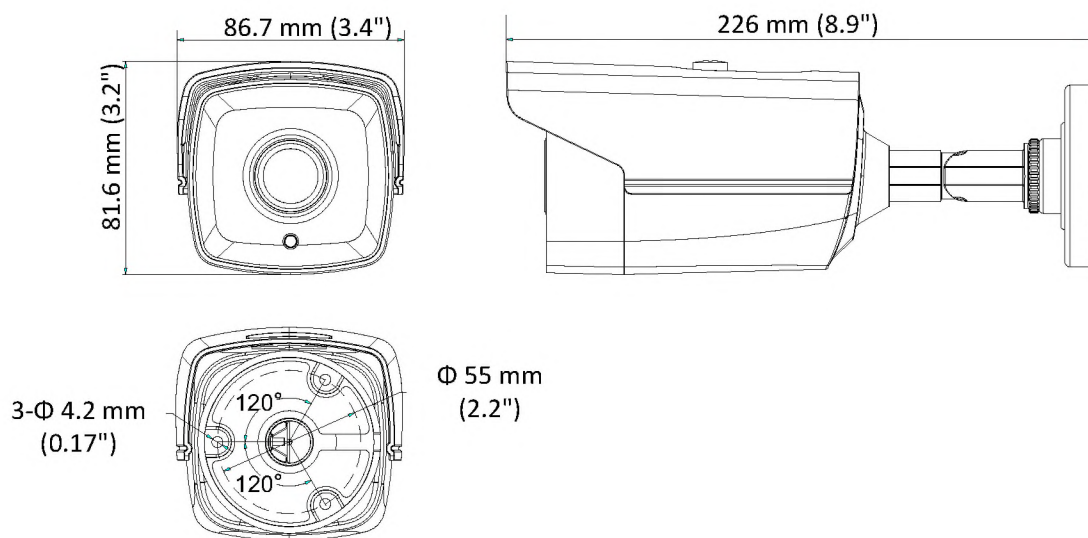
<b>Camera</b>	
Image Sensor	2.0 megapixel progressive scan CMOS
Signal System	PAL/NTSC
Frame Rate	PAL: 1080p@25fps NTSC: 1080p@30fps
Resolution	1920 (H) × 1080 (V)
Min. illumination	Color: 0.005 Lux @ (F2.0, AGC ON), 0 Lux with IR
Shutter Time	PAL: 1/25 s to 1/50, 000 s NTSC: 1/30 s to 1/50, 000 s
Slow Shutter	Max. 16 times
Lens	3.6 mm, 6 mm, 8 mm, 12 mm fixed focal lens
Horizontal Field of View	82.6° (3.6 mm), 54.4° (6 mm), 38° (8 mm), 24.4° (12 mm)
Lens Mount	M12
Day & Night	IR cut filter
Angle Adjustment	Pan: 0° to 360°, Tilt: 0° to 180°, Rotate: 0° to 360°
Synchronization	Internal synchronization
WDR (Wide Dynamic Range)	> 120 dB
<b>Menu</b>	
AGC	Support
Day/Night Mode	Auto/Color/BW (Black and White)
White Balance	ATW/ MANUAL
Privacy Mask	ON/OFF, 4 programmable privacy masks
Motion Detection	4 programmable motion areas
Backlight Compensation	WDR/BLC/HLC/OFF
3D DNR (Digital Noise Reduction)	On
Language	English, Chinese
Functions	Brightness, Sharpness, Mirror, Smart IR
<b>Interface</b>	
Video Output	1 HD analog output
<b>General</b>	
Operating Conditions	-40 °C to 60 °C (-40 °F to 140 °F), humidity: 90% or less (non-condensation)
Power Supply	12 VDC ± 25%/PoC.at
Power Consumption	Max. 6 W
Ingress Protection	IP67
Material	Metal
IR Range	Up to 80 m
Communication	Up the coax, Protocol: HIKVISION-C (TVI output)
Dimensions	86.7 mm × 81.6 mm × 226 mm (3.41" × 3.23" × 8.67")
Weight	Approx. 680 g (1.5 lb.)

## Order Models

DS-2CE16D8T-IT5E

\* PoC function is only available when cooperating with DS-1TPXXX.

## Dimension



## Accessory



DS-1280ZI-XS  
Junction Box



DS-1H18  
Video Balun