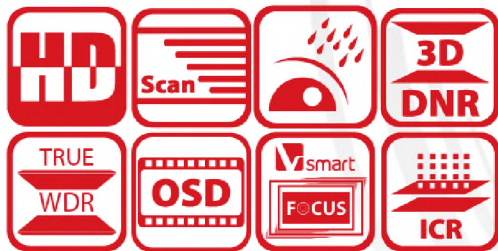


## DS-2CE16D5T-IR HD1080P WDR IR Turret Camera



### Key Features

- 2 Megapixel high-performance CMOS
- Analog HD output, up to 1080P resolution
- True Day/Night
- OSD menu, 3D DNR, Smart IR
- True WDR, up to 120dB
- Up to 20m IR distance
- IP66 weatherproof
- Up the Coax(HIKVISION-C, Pelco-C protocol)

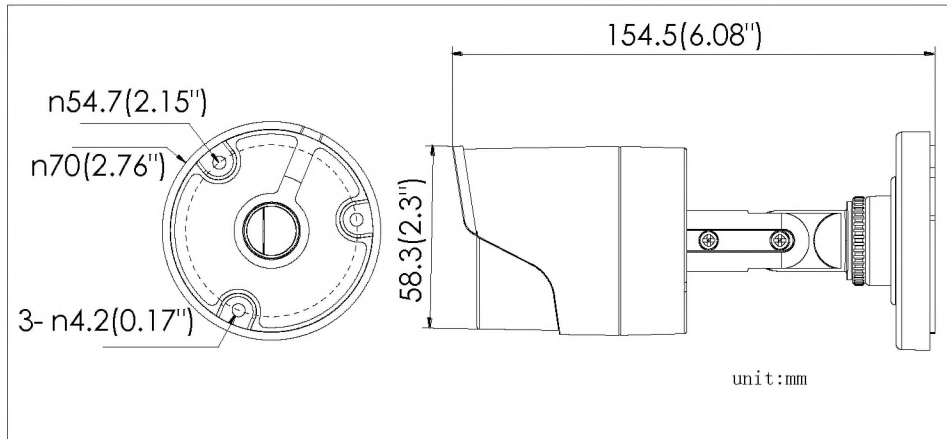
## Specifications

<i>Camera</i>	
Image Sensor	2MP CMOS Image Sensor
Signal System	PAL/NTSC
Effective Pixels	1944(H)*1092(V)
Min. illumination	0.01 Lux @ (F1.2,AGC ON),0 Lux with IR
Shutter Time	1/25(1/30)s to 1/50,000s
Lens	3.6mm (6mm optional)
	Angle of View: 82.6°(3.6mm), 54.4°(6mm)
Lens Mount	M12
Day & Night	ICR
Angle Adjustment	Pan: 0 - 360°, Tilt: 0 - 180°, Rotation: 0 - 360°
Synchronization	Internal synchronization
WDR	120dB
Video Frame Rate	1080p@25fps/1080p@30fps
HD Video Output	1 Analog HD output
CVBS Output	1Vp-p Composite Output(75Ω/BNC)
S/N Ratio	> 62dB
<i>Menu</i>	
Scene	Indoor, Outdoor, Indoor1, LOW-LIGHT
Camera ID	On/off (15 characters, position programmable)
AGC	Support
D/N Mode	Color/BW/EXT
White Balance	ATW/ AWC-SET/ Manual
Privacy Mask	On/Off, maximum 8 zones
Motion Detection	On/Off, maximum 4 zones
BLC	Support
Anti-flicker	On/off
Language	English, Japanese, CHN1, CHN2, Korean, German, French, Italian, Spanish, Polish, Russian, Portuguese, Dutch, Turkish, Hebrew and Arabic
Functions	HSBLC, Digital noise reduction, Digital zoom(62x), Slow shutter, Mirror, Defog, Defect pixel correction, SMART D-ZOOM
<i>General</i>	
Operating Conditions	-30 °C – 60 °C (-22 °F – 140 °F), Humidity 90% or less (non-condensing)
Power Supply	12 VDC ± 15%
Power Consumption	Max. 4W
Protection Level	IP66
IR Range	Up to 20m
Communication	Up the coax, Protocol: Pelco-C(CVBS output), HIKVISION-C(TVI output)
Dimensions	Φ70×149.5 mm (Φ2.76" ×5.89")
Weight	360g (0.79 lb)

## Order Models

DS-2CE16D5T-IR

## Dimensions



## Accessories



DS-1280ZJ-XS  
Junction box



DS-1H18  
Video Balun



X41T  
Camera Tester