

## DS-2CE16D0T-VFIR3F HD 1080p IR Bullet Camera



### Key Features

- 2 megapixel high performance CMOS
- Analog HD output, up to 1080p resolution
- Day/Night switch
- Smart IR
- Up to 40 m IR distance
- Switchable TVI/AHD/CVI/CVBS
- IP66

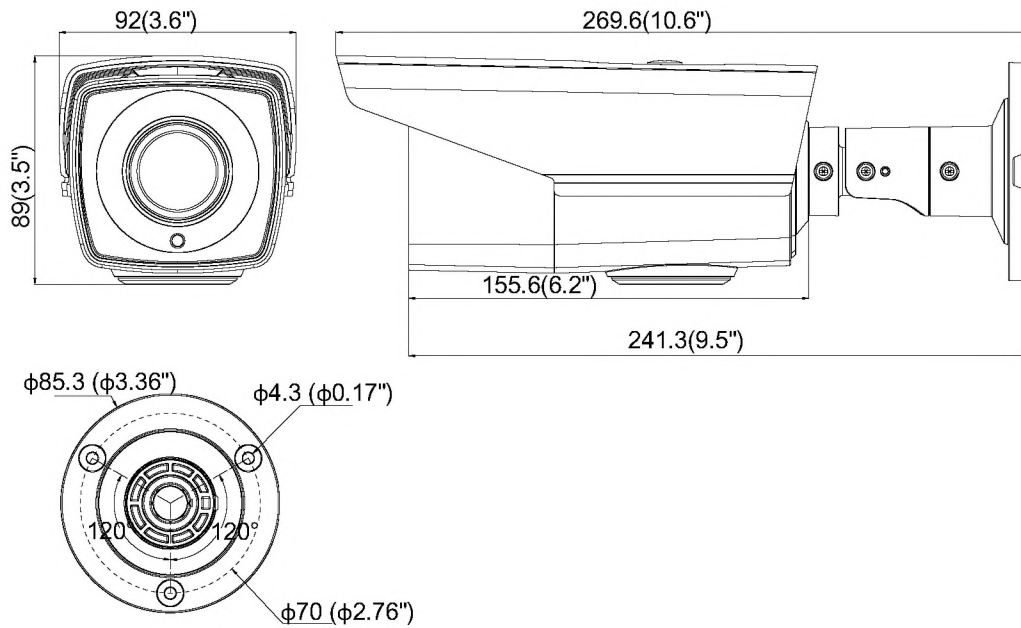
## Specifications

<i>Camera</i>	
Image Sensor	2MP CMOS image sensor
Signal System	PAL/NTSC
Effective Pixels	1920 (H) × 1080 (V)
Min. illumination	0.01 Lux@(F1.2,AGC ON), 0 Lux with IR
Shutter Time	1/25 (1/30) s to 1/50,000 s
Lens	2.8 - 12 mm @ F1.4
	Angle of view: 102.25° - 32 °
Lens Mount	Φ14
Day & Night	ICR
Angle Adjustment	Pan: 0° to 360°, Tilt: 0° to 90°, Rotation: 0° to 360°
Synchronization	Internal synchronization
Video Frame Rate	1080p@25fps/1080p@30fps
HD Video Output	1 analog HD output
S/N Ratio	>62 dB
<i>General</i>	
Operating Conditions	-40 °C to 60 °C (-40 °F to 140 °F), Humidity 90% or less (non-condensation)
Power Supply	12 VDC ± 15%
Power Consumption	Max. 4 W
Protection Level	IP66
IR Range	Up to 40 m
Dimensions	92mm×84.8mm×269.6mm (3.62"×3.34"×3.34")
Weight	Approx. 900g (1.98lb)

## Order Model

DS-2CE16D0T-VFIR3F

**Dimensions**



Unit: mm

**Accessories**



DS-1275ZJ  
Vertical Pole Mounting



DS-1280ZJ-S  
Junction Box



DS-1H18  
Video Balun



X41T  
Camera Tester