

## DS-2CE16D0T-IR HD1080P IR Bullet Camera



### Key Features

- 2 Megapixel high-performance CMOS
- Analog HD output, up to 1080P resolution
- True Day/Night, Smart IR
- Up to 20m IR distance
- IP66 weatherproof

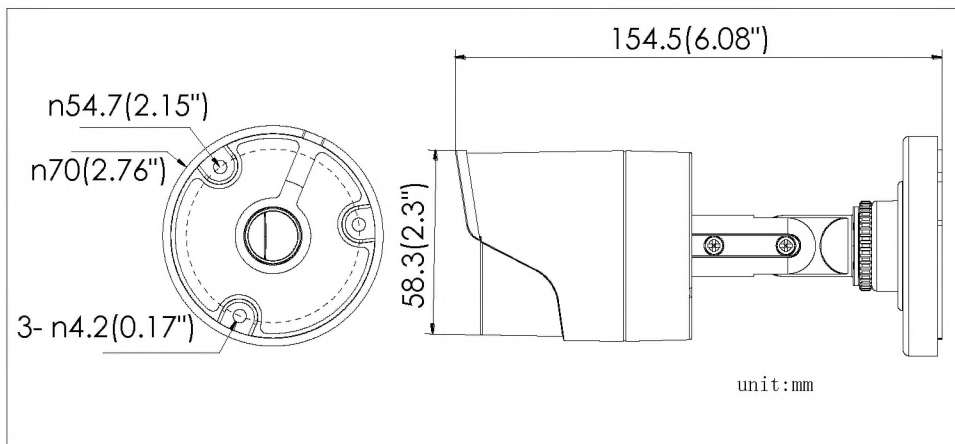
## Specifications

<i>Camera</i>	
Image Sensor	2MP CMOS Image Sensor
Signal System	PAL/NTSC
Effective Pixels	1920(H)*1080(V)
Min. illumination	0.01 Lux @ (F1.2,AGC ON),0 Lux with IR
Shutter Time	1/25(1/30)s to 1/50,000s
Lens	2.8mm, 3.6mm, 6mm optional
	Angle of View: 103°(2.8mm), 82.2°(3.6mm), 54°(6mm)
Lens Mount	M12
Day & Night	ICR
Angle Adjustment	Pan: 0 - 360°, Tilt: 0 - 180°, Rotation: 0 - 360°
Synchronization	Internal synchronization
Video Frame Rate	1080p@25fps/1080p@30fps
HD Video Output	1 Analog HD output
S/N Ratio	>62dB
<i>General</i>	
Operating Conditions	-40 °C – 60 °C (-40 °F – 140 °F), Humidity 90% or less (non-condensing)
Power Supply	12 VDC ± 15%
Power Consumption	Max. 4W
Protection Level	IP66
IR Range	Up to 20m
Dimensions	Φ70×149.5mm (Φ2.76"×5.89")
Weight	400g

## Order Models

DS-2CE16D0T-IR

## Dimensions



## Accessories



DS-1280ZI-XS  
Junction box



DS-1H18  
Video Balun



X41T  
Camera Tester