

## DS-2CD2663G0-IZS 6 MP IR Varifocal Bullet Network Camera



### Key Features

- 1/2.9" Progressive Scan CMOS
- 3072 × 2048@20 fps
- 2.8 to 12 mm varifocal lens
- Color: 0.01 Lux @ (F1.2, AGC ON), 0.018 Lux @ (F1.6, AGC ON), 0 Lux with IR
- H.265+, H.265, H.264+, H.264
- 2 Behavior analyses
- 120dB WDR
- BLC/3D DNR/ROI/HLC
- IP67, IK10
- Built-in micro SD/SDHC/SDXC card slot, up to 128 GB

## Specifications

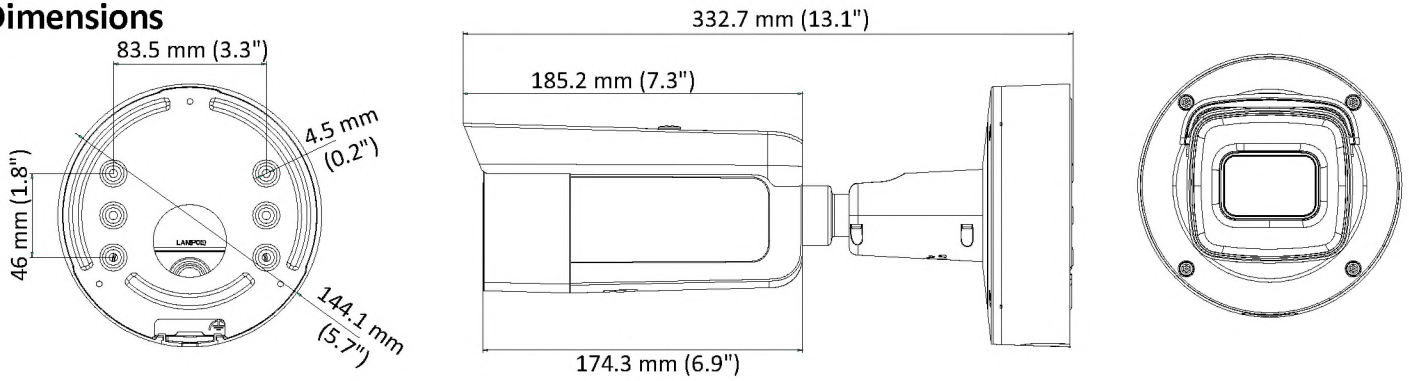
| <i>Camera</i>               |   |
|-----------------------------|---|
| Image Sensor                | 1/2.9" Progressive Scan CMOS  |
| Min. Illumination           | Color: 0.01 Lux @ (F1.2, AGC ON), 0.018 Lux @ (F1.6, AGC ON), 0 Lux with IR   |
| Shutter Speed               | 1/3 s to 1/100,000 s  |
| Slow Shutter                | Yes   |
| Auto-Iris                   | No  |
| Day & Night                 | IR Cut Filter   |
| Digital Noise Reduction     | 3D DNR  |
| WDR                         | 120dB   |
| 3-Axis Adjustment           | Pan: 0° to 355°, tilt: 0° to 90°, rotate: 0° to 355°  |
| <i>Lens</i>                 |   |
| Focal Length                | 2.8 to 12 mm  |
| Lens Type                   | Motorized   |
| Aperture                    | F1.6  |
| Focus                       | Auto  |
| FOV                         | Horizontal field of view: 88° to 27°<br>Vertical field of view: 56° to 18°<br>Diagonal field of view: 110° to 33°   |
| Lens Mount                  | Φ14   |
| <i>IR</i>                   |   |
| IR Range                    | Up to 50 m  |
| Wavelength                  | 850nm   |
| <i>Compression Standard</i> |   |
| Video Compression           | Main stream: H.265/H.264<br>Sub-stream: H.265/H.264/MJPEG<br>Third stream: H.265/H.264  |
| H.264 Type                  | Main Profile/High Profile   |
| H.264+                      | Main stream supports  |
| H.265 Type                  | Main Profile  |
| H.265+                      | Main stream supports  |
| Video Bit Rate              | 32 Kbps to 16 Mbps  |
| Audio Compression           | G.711/G.722.1/G.726/MP2L2/PCM   |
| Audio Bit Rate              | 64Kbps(G.711)/16Kbps(G.722.1)/16Kbps(G.726)/32-192Kbps(MP2L2)   |
| <i>Smart Feature-set</i>    |   |
| Behavior Analysis           | Line crossing detection, intrusion detection  |
| Face Detection              | Yes   |
| Region of Interest          | Support 1 fixed region for main stream and sub-stream   |
| <i>Image</i>                |   |
| Max. Resolution             | 3072 × 2048   |
| Main Stream                 | 50Hz: 20 fps (3072 × 2048, 3072 × 1728, 2944 × 1656), 25 fps (2560 × 1440, 1920 × 1080, 1280 × 720)<br>60Hz: 20 fps (3072 × 2048, 3072 × 1728, 2944 × 1656), 30fps (2560 × 1440, 1920 × 1080, 1280 × 720) |
| Sub-Stream                  | 50Hz: 25fps (640 × 480, 640 × 360, 320 × 240)   |

|   |   |
|---|---|
|   | 60Hz: 30fps (640 × 480, 640 × 360, 320 × 240)   |
| Third Stream  | 50Hz: 25fps (1280 × 720, 640 × 360, 352 × 288)<br>60Hz: 30fps (1280 × 720, 640 × 360, 352 × 240)  |
| Image Enhancement   | BLC/3D DNR/HLC  |
| Image Settings  | Rotate mode, saturation, brightness, contrast, sharpness and white balance adjustable by client software or web browser                 |
| Day/Night Switch  | Day/Night/Auto/Schedule/Triggered by Alarm In   |
| * Note: When the main stream resolution is 2944 × 1656 and above, max frame rate is 20 fps for all streams. |   |
| <b>Network</b>  |   |
| Network Storage   | Support Micro SD/SDHC/SDXC card (128G), local storage and NAS (NFS,SMB/CIFS), ANR   |
| Alarm Trigger   | Motion detection, video tampering, network disconnected, IP address conflict, illegal login, HDD full, HDD error                        |
| Protocols   | TCP/IP, ICMP, HTTP, HTTPS, FTP, DHCP, DNS, DDNS, RTP, RTSP, RTCP, PPPoE, NTP, UPnP, SMTP, SNMP, IGMP, 802.1X, QoS, IPv6, Bonjour        |
| General Function  | One-key reset, anti-flicker, three streams, heartbeat, password protection, privacy mask, watermark, IP address filter                  |
| Firmware Version  | V5.5.80   |
| API   | ONVIF (PROFILE S, PROFILE G), ISAPI   |
| Simultaneous Live View  | Up to 6 channels  |
| User/Host   | Up to 32 users<br>3 levels: Administrator, Operator and User  |
| Client  | iVMS-4200, Hik-Connect, iVMS-5200, iVMS-4500  |
| Web Browser   | Plug-in required live view: IE8+, Chrome 41.0-44, Firefox 30.0-51, Safari 8.0-11<br>Plug-in free live view: Chrome 45.0+, Firefox 52.0+ |
| <b>Interface</b>  |   |
| Audio   | 1 input (line in, 3.5 mm), 1 output (line out, 3.5 mm), mono sound  |
| Alarm   | 1 input, 1 output (max. 12 VDC, 30 mA), terminal block  |
| Communication Interface   | 1 RJ45 10M/100M self-adaptive Ethernet port   |
| Video Output  | 1Vp-p composite output (75 Ω) (For adjustment only)   |
| On-board storage  | Built-in Micro SD/SDHC/SDXC slot, up to 128 GB  |
| SVC   | H.264 and H.265 encoding support  |
| Reset Button  | Yes   |
| <b>Audio</b>  |   |
| Environment Noise Filtering   | Yes   |
| Audio Sampling Rate   | 8kHz/16kHz/32kHz/44.1kHz/48kHz  |
| <b>General</b>  |   |
| Operating Conditions  | -30 °C to +60 °C (-22 °F to +140 °F), humidity 95% or less (non-condensing)   |
| Power Supply  | 12 VDC ± 25%, PoE (802.3at, class 4), Φ 5.5 mm coaxial power plug   |
| Power Consumption and Current   | 12 VDC, 1.2A, max. 14.5W<br>PoE (802.3at, 42.5V to 57V), 0.5A to 0.3A, max. 18W   |
| Protection Level  | IP67, IK10  |
| Material  | Metal   |
| Dimensions  | Φ144.1 × 332.7 mm (Φ5.7" × 13.1")   |
| Weight  | Camera: 1893 g (4.2 lb.)  |

## Available Model:

DS-2CD2663G0-IZS (2.8 to 12 mm)

## Dimensions



## Accessories



DS-1475ZJ-SUS

Vertical Pole Mount



DS-1476ZJ-SUS

Corner Mount



DS-1275ZJ-S-SUS

Vertical Pole Mount