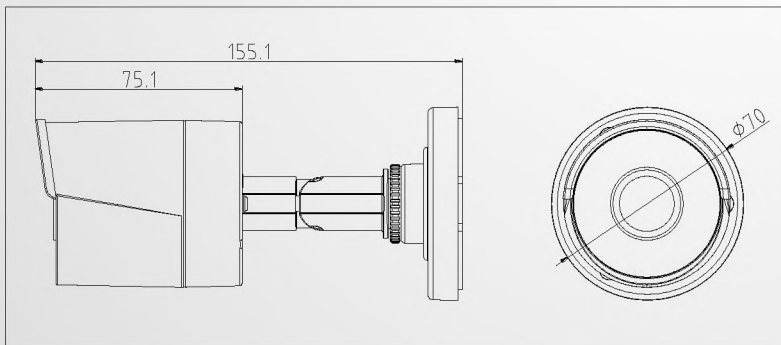


DS-2CD1002(D)-I 1 MP CMOS IR Network Bullet Camera



- 1/4" Progressive Scan CMOS
- Up to 1 megapixel resolution
- Digital WDR
- 3D DNR
- 30 meters IR range
- 12V DC \pm 10% & PoE(802.3af) for non"-D"
- IP66

DS-2CD1002(D)-I

1 MP CMOS IR Network Bullet Camera



Specification

Camera	
Image Sensor	1/4" Progressive Scan CMOS
Min. Illumination	0.01Lux @ (F1.2, AGC ON) , 0.028Lux @ (F2.0, AGC ON) , 0 Lux with IR
Shutter Speed	1/3 s ~ 1/100,000 s
Lens	4mm@ F2.0, Angle of view: 73.1° (6/8/12mm optional)
Lens Mount	M12
Day & Night	IR cut filter with auto switch
WDR	Digital WDR
Compression Standard	
Video Compression	H.264/MJPEG
H.264 Type	Baseline Profile / Main Profile
Video Bit Rate	32 Kbps – 8 Mbps
Image	
Max. Resolution	1280 × 720
Frame Rate	50Hz: 25fps(1280 × 720) 60Hz: 30fps (1280 × 720)
Image Enhancement	BLC/3D DNR
Image Setting	Rotate Mode, Saturation, Brightness, Contrast, Sharpness adjustable by client software or web browser
Network	
Network Storage	NAS (Support NFS,SMB/CIFS)
Alarm Trigger	Motion detection, Dynamic analysis, Tampering alarm, Network disconnect , IP address conflict, Storage exception
Protocols	TCP/IP, UDP, ICMP, HTTP, HTTPS, FTP, DHCP, DNS, DDNS, RTP, RTSP, RTCP, PPPoE, NTP, UPnP, SMTP, SNMP, IGMP, 802.1X, QoS, IPv6, Bonjour
Security	Flash-prevention, dual stream, heartbeat, mirror, password protection, privacy mask, watermark, IP address filtering, anonymous access
Standard	ONVIF, PSIA, CGI, ISAPI
Interface	
Communication Interface	1 RJ45 10M/100M Ethernet interface
Reset Button	Yes
General	
Operating Conditions	-30 °C – 60 °C (-22 °F – 140 °F), Humidity 95% or less (non-condensing)
Power Supply	12V DC±10%, PoE (802.3af) for non"-D"
Power Consumption	Max. 6W
Protection Level	IP66
IR Range	30m
Dimensions	Φ70×155.1 mm
Weight	500g (1.1 lbs)
Order Model	
DS-2CD1002-I, DS-2CD1002D-I	