

## DS-2CE56D0T-IT3F HD 1080p EXIR Turret Camera



### Key Features

- 2 megapixel high performance CMOS
- Analog HD output, up to 1080p resolution
- True Day/Night,
- Smart IR
- Up to 40m IR distance
- Switchable TVI/AHD/CVI/CVBS
- IP66



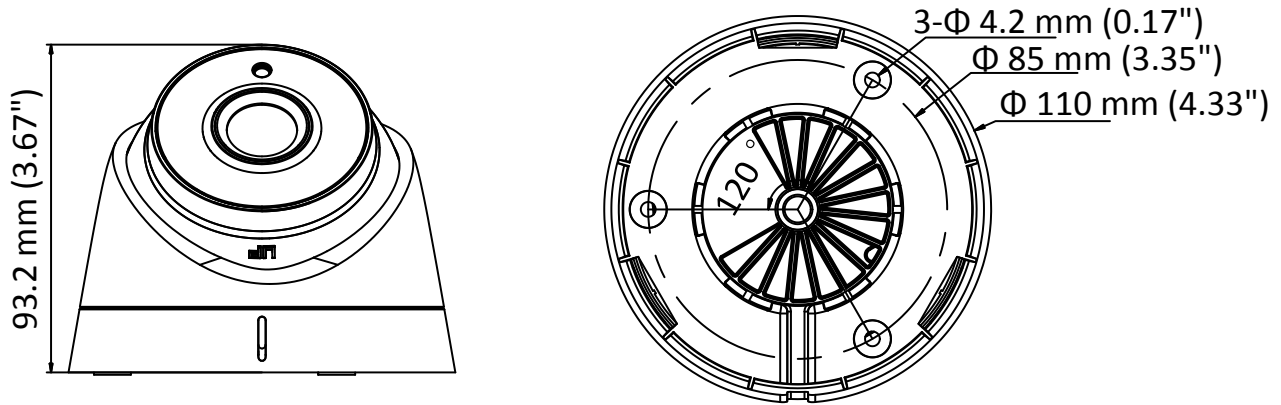
## Specifications

<b>Camera</b>	
Image Sensor	2 MP CMOS image sensor
Signal System	PAL/NTSC
Effective Pixels	1920 (H) × 1080 (V)
Min. illumination	0.01 Lux @ (F1.2,AGC ON),0 Lux with IR
Shutter Time	1/25(1/30) s to 1/50,000 s
Lens	3.6mm (2.8 mm, 6 mm, 8 mm, 12 mm, 16 mm optional)
	Field of view: 103° (2.8 mm), 82.2°(3.6mm), 54°(6mm), 37.7°(8mm), 24.2°(3.6mm), 18.8°(6mm)
Lens Mount	M12
Day & Night	ICR
Angle Adjustment	Pan: 0° to 360°, Tilt: 0° to 75°, Rotation: 0° to 360°
Synchronization	Internal synchronization
Video Frame Rate	1080p@25fps/1080p@30fps
HD Video Output	1 analog HD output
S/N Ratio	>62 dB
<b>General</b>	
Operating Conditions	-40 °C to 60 °C (-40 °F to 140 °F), Humidity: 90% or less (non-condensation)
Power Supply	12 V DC ± 15%
Power Consumption	Max. 4 W
Protection Level	IP66
IR Range	Up to 40 m
Dimension	Φ110 mm × 93.2 mm (4.33" × 3.67")
Weight	350 g (0.77 lb.)

## Order Model

DS-2CE56D0T-IT3F

**Dimensions**



**Accessories**



DS-1272ZJ-110-TRS  
Wall Mounting Bracket



DS-1275ZJ  
Vertical Pole Mounting Bracket



DS-1276ZJ  
Corner Mounting Bracket



DS-1H18  
Video Balun



X41T  
Camera Tester



DS-1280ZJ-S  
Junction Box



DS-1281ZJ-S  
Inclined Ceiling Mounting Bracket