

DS-2CE56D8T-IT3E 2 MP Ultra-Low Light POC Camera



Key Feature

- 2 MP, 1920 × 1080 resolution
- Ultra-Low Light
- 130 dB true WDR, 3D DNR
- 2.8 mm, 3.6 mm, 6 mm, 8 mm, 12 mm fixed focal lens
- Smart IR, up to 60 m IR distance
- Power over coaxial
- IP67



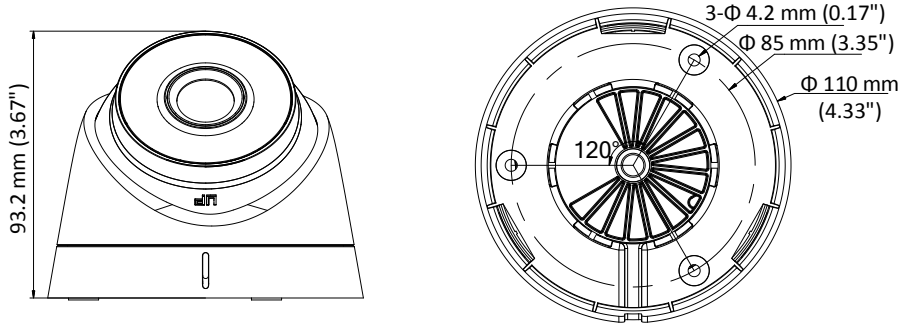
Specification

| Camera | |
|--------------------------|--|
| Image Sensor | 2 MP CMOS |
| Signal System | PAL/NTSC |
| Frame Rate | PAL: 1080p@25fps NTSC: 1080p@30fps |
| Resolution | 1920 (H) × 1080 (V) |
| Min. Illumination | 0.003 Lux @ (F1.2, AGC ON), 0 Lux with IR |
| Shutter Time | PAL: 1/25 s to 1/50, 000 s NTSC: 1/30 s to 1/50, 000 s |
| Slow Shutter | Max. 16 times |
| Lens | 2.8 mm, 3.6 mm, 6 mm, 8mm, 12mm fixed lens |
| Horizontal Field of View | 103.5° (2.8 mm), 82.6° (3.6 mm), 54.4° (6 mm), 38° (8 mm), 24.4° (12 mm) |
| Lens Mount | M12 |
| Day & Night | ICR |
| WDR (Wide Dynamic Range) | ≥130 dB |
| Angle Adjustment | Pan: 0° to 360°, Tilt:0° to 75°, Rotate: 0° to 360° |
| Menu | |
| Image Mode | STD/HIGH-SAT |
| AGC | Yes |
| Day/Night Mode | Auto/Color/BW (Black and White) |
| White Balance | Auto/Manual |
| AE (Auto Exposure) Mode | WDR/BLC/HLC/Global |
| Privacy Mask | 4 programmable privacy masks |
| Motion Detection | 4 programmable motion areas |
| Noise Reduction | 3D DNR |
| Language | English |
| Function | Brightness, Sharpness, Mirror, Smart IR |
| Interface | |
| Video Output | 1 HD analog output |
| General | |
| Operating Conditions | -40 °C to 60 °C (-40 °F to 140 °F), humidity: 90% or less (non-condensing) |
| Power Supply | 12 VDC ± 25%/PoC.af |
| Power Consumption | Max. 3.6 W |
| Protection Level | IP67 |
| Material | Main body: Metal Enclosure: Plastic |
| IR Range | Up to 60 m |
| Communication | HIKVISION-C |
| Dimensions | Φ 110 mm × 93.2 mm (Φ 4.33" × 3.67") |
| Weight | Approx. 350 g (0.77 lb.) |

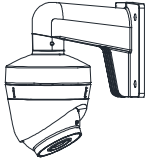
Order Model

DS-2CE56D8T-IT3E

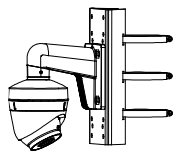
Dimension



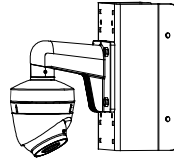
Accessory



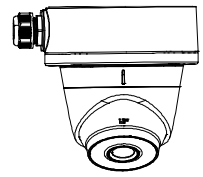
DS-1272ZJ-110-TRS
Wall Mount



DS-1275ZJ-SUS
Vertical Pole Mount



DS-1276ZJ-SUS
Corner Mount



DS-1280ZJ-S
Junction Box



DS-1281ZJ-S
Inclined Ceiling Mount