

DS-2CD1321(D)-I 2.0 MP CMOS Network Dome Camera



Key Features

- 1/2.8" Progressive Scan CMOS
- Up to 2.0 megapixel high resolution
- 10 m IR range
- Dual stream
- Digital Wide Dynamic Range
- 3D DNR (Digital Noise Reduction)
- PoE (Power over Ethernet) optional
- Mobile Monitoring via Hik-Connect



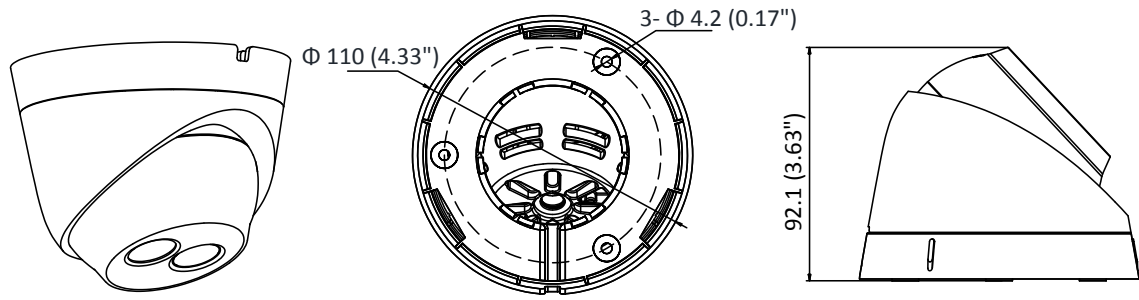
Specifications

Camera	
Image Sensor	1/2.8" Progressive Scan CMOS
Min. Illumination	0.01Lux @(F1.2,AGC ON) ,0 Lux with IR; 0.028 Lux @(F2.0,AGC ON), 0 Lux with IR
Shutter Speed	1/3 s to 1/100,000 s, support slow shutter
Lens	2.8 mm, horizontal field of view: 105.8° (4mm: 83°, 6mm: 55°, 8mm: 38.5°, optional)
Lens Mount	M12
Day & Night	IR cut filter with auto switch
3-Axis Adjustment	Pan: 0° to 360°; Tilt: 0° to 75°; Rotation: 0° to 360°
DNR	3D DNR (Digital Noise Reduction)
Wide Dynamic Range	Digital WDR
Compression Standard	
Video Compression	Main stream: H.264 Sub stream: H.264, MJPEG
H.264 Type	Baseline Profile/Main Profile
Video Bit Rate	32 Kbps to 8 Mbps
Dual Stream	Support
Image	
Max. Resolution	1920 × 1080
Main Stream Max. Frame Rate	50Hz: 1920 × 1080, 1280 × 960, 1280 × 720 @25fps 60Hz: 1920 × 1080, 1280 × 960, 1280 × 720 @30fps
Sub-stream Max. Frame Rate	50Hz: 704 × 576, 640 × 480, 352 × 288, 320 × 240 @25fps 60Hz: 704 × 480, 640 × 480, 352 × 240, 320 × 240 @30fps
Image Settings	Brightness, saturation, contrast, sharpness are adjustable via web browser or client software
Day/Night Switch	Support auto, scheduled, and triggered by alarm input
Others	Mirror, BLC (area configurable), Region of Interest (support 1 fixed region),
Network	
Detections	Motion Detection, Dynamic Analysis,
Alarms	Video Tampering, Network Disconnected, IP Address Conflicted, HDD Full, HDD Error
Protocols	TCP/IP, ICMP, HTTP, HTTPS, FTP, DHCP, DNS, DDNS, RTP, RTSP, RTCP, NTP, UPnP, SMTP, SNMP, IGMP, 802.1X, QoS, IPv6, Bonjour
Standard	ONVIF(PROFILE S,PROFILE G), ISAPI
General Function	Anti-Flicker, Heartbeat, Mirror, Password Protection, Privacy Mask, IP Address Filter, Watermark
Interface	
Communication Interface	1 RJ45 10M/100M self-adaptive Ethernet port
General	
Operating Conditions	-10 °C to 40 °C (-14 °F to 104 °F), Humidity 95% or less (non-condensing)
Power Supply	DS-2CD1321 - I: DC12V ± 25%, PoE (802.3af) DS-2CD1321D - I: DC12V ± 25%
Power Consumption	Max. 3.5W
IR Range	10 meters
Dimensions	Φ110 mm × 92.1 mm (Φ 4.3" × 3.6")
Weight	190g (0.4 lb)

Available Models

DS-2CD1321-I, DS-2CD1321D-I

Dimension



Unit: mm