

TAP-10

RECESSED CONTACTS

.37"(9.5mm) Recessed Type



Contact Size: .37"×1.26"(9.5mm×32mm)

Standard Magnet Size: .37"×1.26"(9.5mm×32mm)



Standard Gap: .6"(15mm)

Colors: White, Brown



12"(305mm) 22 AWG Leads Standard

Longer leads available.

Specifications

Part Number	Gap Inch(mm)	Loop Open/Closed	Reed Form	Max. Contact Rating(W)	Max. Initial Contact Resistance(mΩ)	Max. Switching Voltage (V)	Max. Switching Current (A)
TAP-10	.6"(15)	CLOSED	Normally Open	10	100	AC110/DC100	0.5
TAP-11B	.6"(15)	OPEN	Normally Closed	3	100	AC30/DC30	0.2
TAP-10 WG	1.26"(32)	CLOSED	Normally Open	10	100	AC110/DC100	0.5
TAP-10 W/ MINI MAG	.6"(15)	CLOSED	Normally Open	10	100	AC110/DC100	0.5
* TAP-10 FM Special Order	.6"(15)	CLOSED	Normally Open	10	100	AC110/DC100	0.5
* TAP-11B FM Special Order	.6"(15)	OPEN	Normally Closed	3	100	AC30/DC30	0.2
TAP-12C	.6"(15)	SPDT	SPDT	3	100	AC30/DC30	0.2

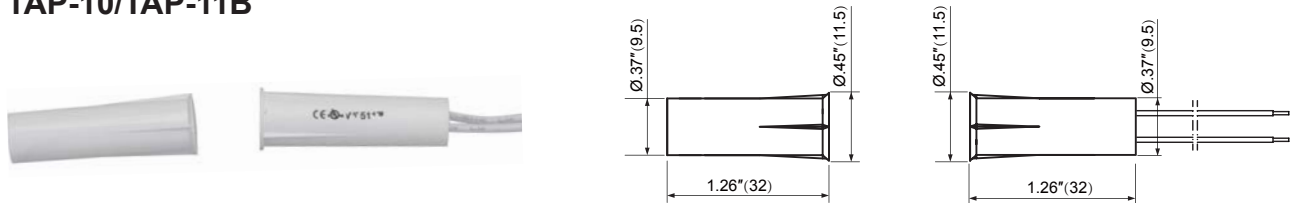
OPERATING TEMPERATURE:-40°C to +60°C

*SPECIAL ORDER - Call for Min. Order Qty. - Leadtime - Pricing

Outline Dimensions

Unit: inch(mm)

TAP-10/TAP-11B



TAP-10

RECESSED CONTACTS

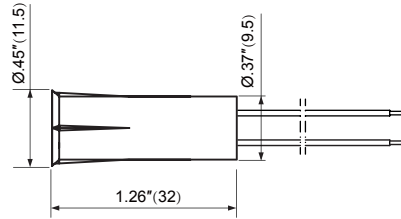
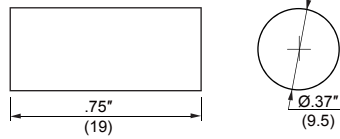
Outline Dimensions

Unit: inch(mm)

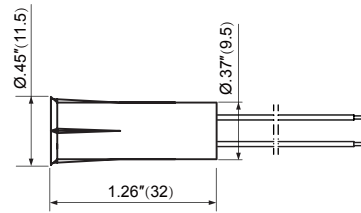
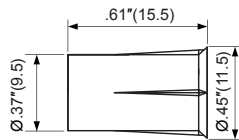
TAP-10 WG



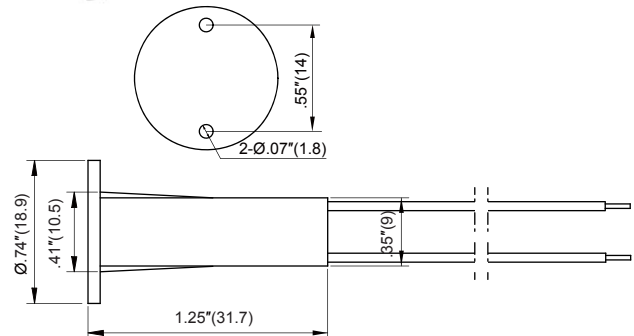
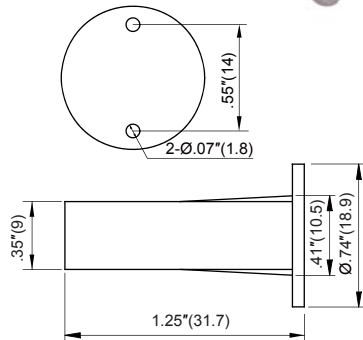
Bare Rare Earth
(BT 3/8"×3/4")



TAP-10 W/MINI MAG



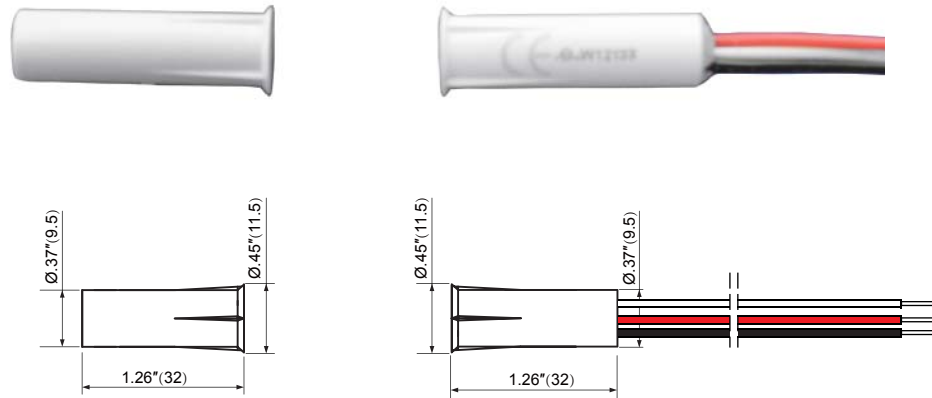
TAP-10 FM/TAP-11B FM



Outline Dimensions

Unit: inch(mm)

TAP-12C



TAP-12C Wiring Diagram

