

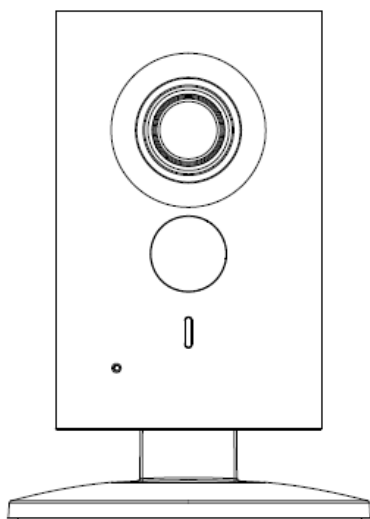


Dahua C Series Home Camera Quick Start Guide

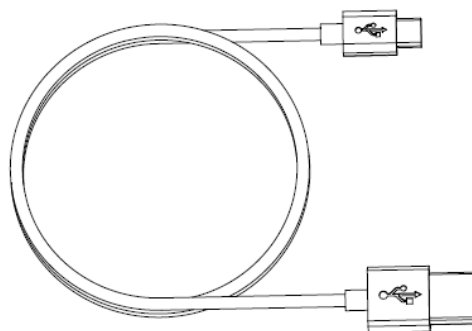
V 1.0.3

Zhejiang Dahua Vision Technology CO., LTD

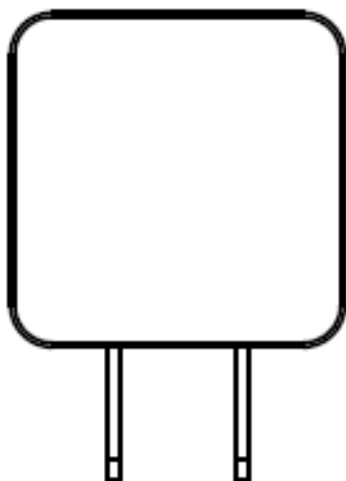
1 Packing List



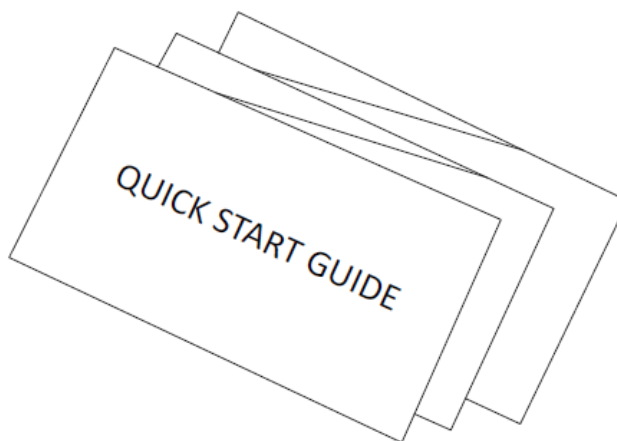
Device × 1



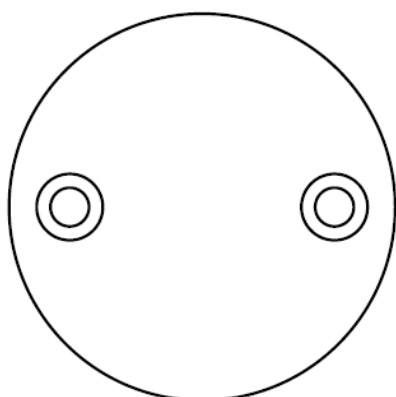
USB × 1



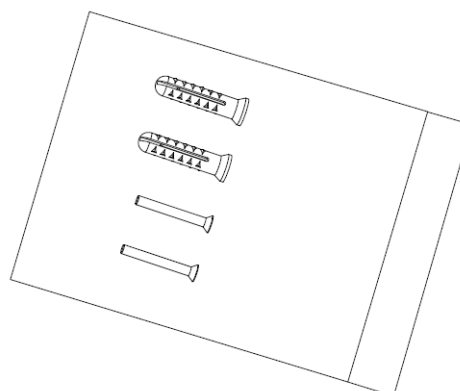
Power Adapter × 1



QSG × 1



Iron Plate (for magnetic installation) × 1



Screw Package × 1

2 Product Appearance

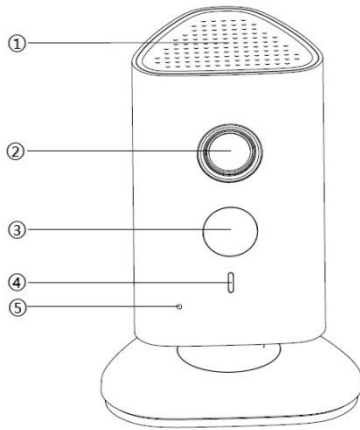


Figure 2-1

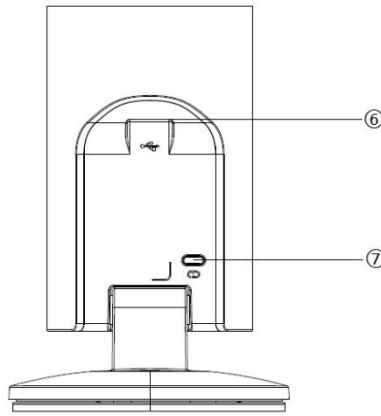


Figure 2-2

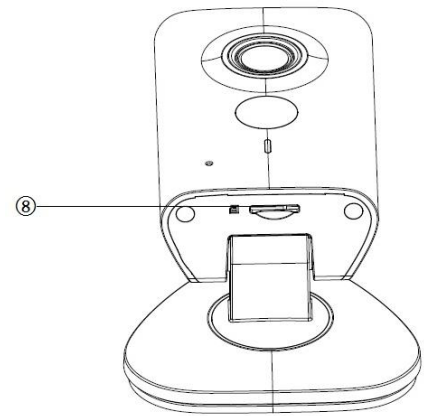


Figure 2-3

Please refer to the following sheet for more details about each port.

SN	Name
1	Speaker
2	Lens
3	IR (Infrared Ray) LED
4	Indicator light
5	Microphone
6	USB power supply
7	Reset/ WPS (Wi-Fi Protected Setup) button
8	Micro SD Card Slot

Sheet 2-1

Note:

For reset, long press for 8 seconds and then the light off; For WPS (Wi-Fi Protected Setup), one quick press.

Please refer to the following sheet for more details about status of indicator light.

Indicator light status	Device status
Red light normally on	Booting
Green light slow flashing	Booting completed, await wifi config, enter smart config status;
Green light quick flashing	Wifi smart config in progress, including WPS (Wi-Fi Protected Setup), management frame and etc.
Green light normally on	Wifi connection succeeded, operate normally.
Red and green lights flash alternately	Device upgrade
Red light slow flashing	Network connection failure or disconnection after network connection success.
Red light quick flashing	Device malfunction, fail to boot up; alarm or SD card malfunction

Sheet 2-2

3 Operate by Easy4ip APP

Step 1

Power on the device with power adapter.

Step 2

Connect your smart phone to your WiFi network. Scan the “Easy4ip APP” QR on the packing box, download and install the Easy4ip APP.

Step 3

Open Easy4ip APP (take IOS as an example), tap login to login the APP, see Figure 3-1.

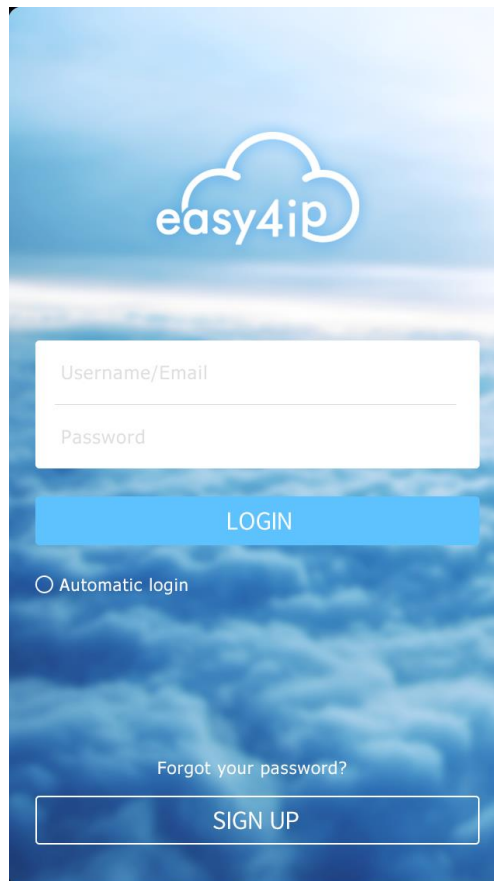


Figure 3-1

Step 4

Tap “register” for first use.

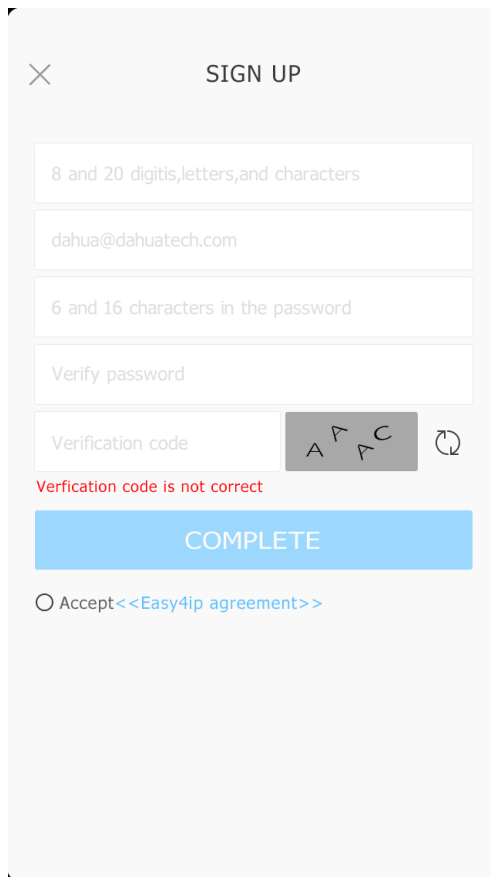


Figure 3-2

Step 5

Tap “+” to add devices.

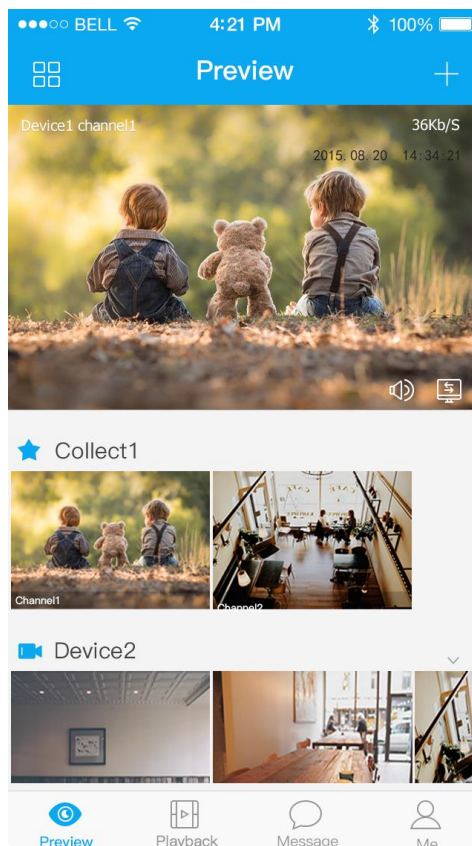


Figure 3-3

Step 6

Please select “Wired” when the network cable is connected, select “Wireless” for wireless connection. Here is an example of wireless connection.



Figure 3-4

Step 7

Name the camera and scan the QR code on camera.

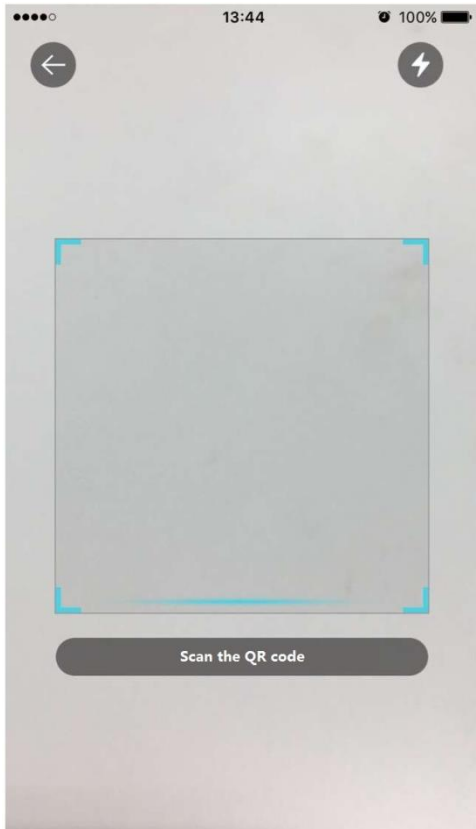


Figure 3-5

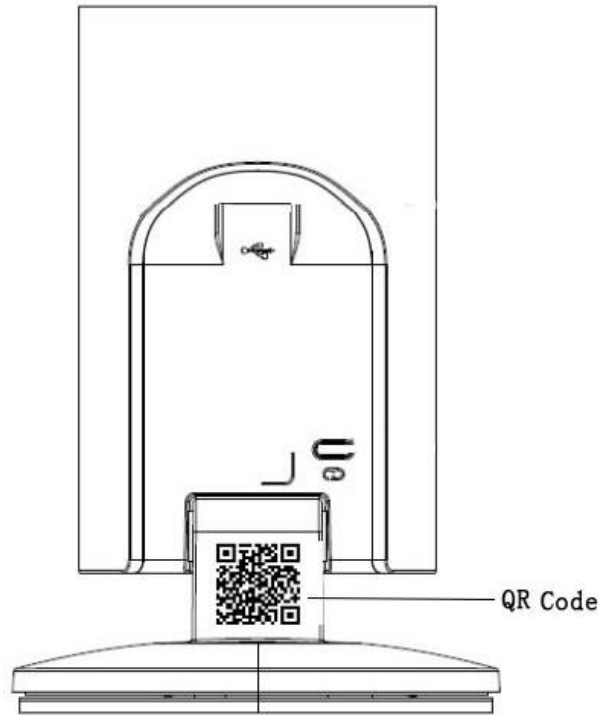


Figure 3-6

Step 8

Input the Wi-Fi password.

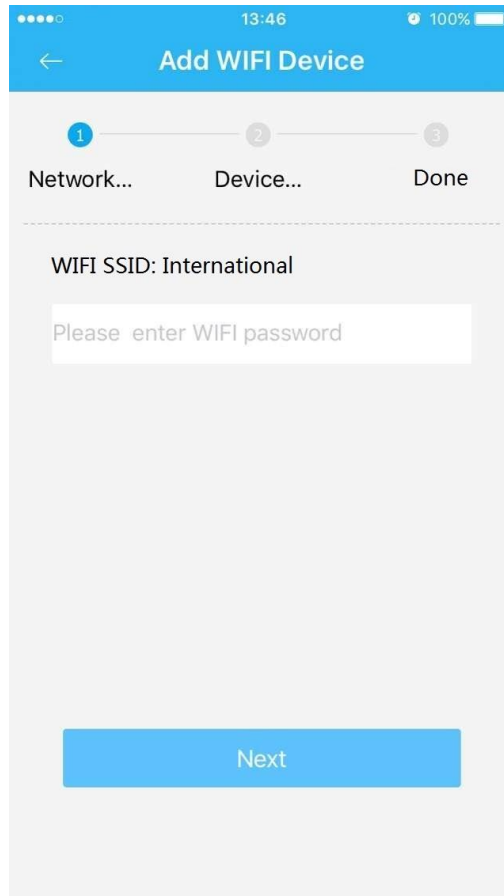


Figure 3-7

Step 9

Waiting for 60s to finish the Wi-Fi connection.

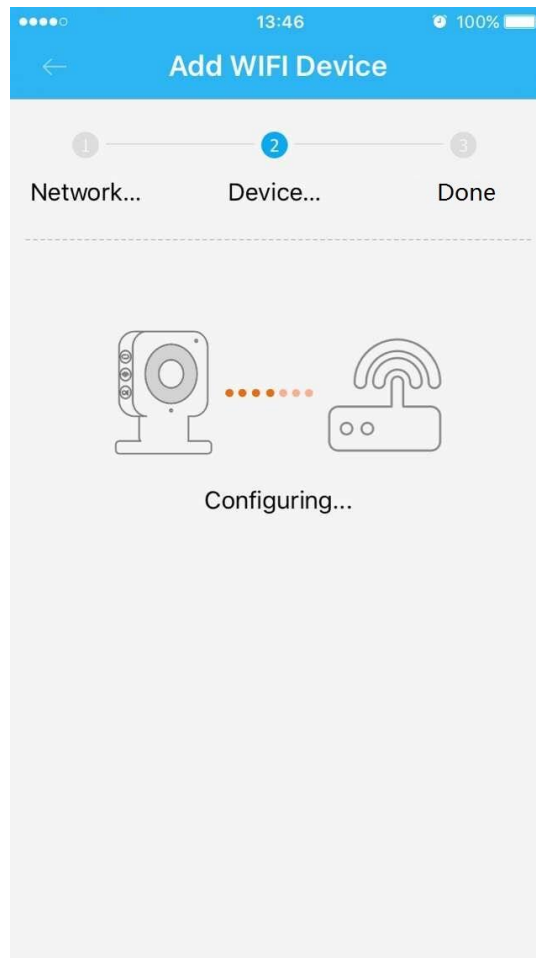


Figure 3-8

Note: If you want to change the Wi-Fi signal, please reset the camera to factory default and repeat step 6-9;

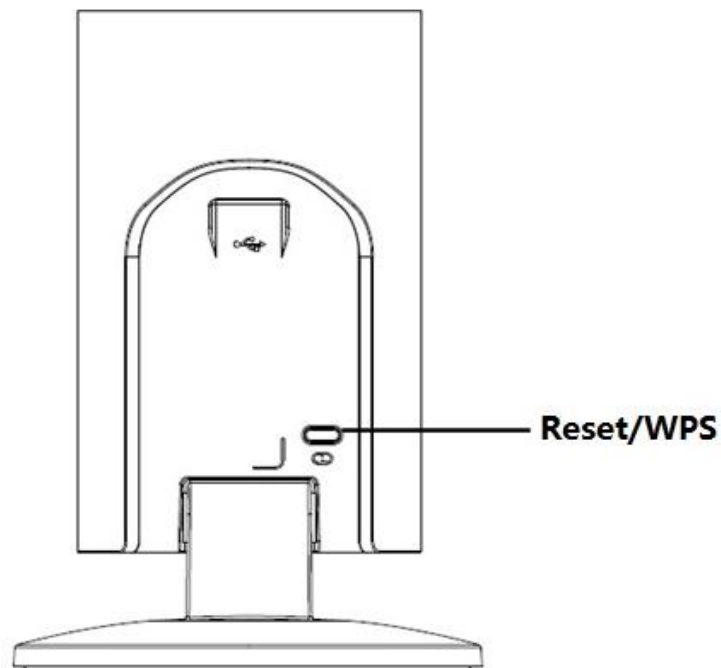


Figure 3-9

4 Device Installation

Important

Before the installation, please make sure the installation environment can at least support 3x weight of the camera.

4.1 Non-metal Surface

Step 1

Fix the metal plate with screws.

Step 2

Stick the camera onto the metal plate.

4.2 Metal Surface

Stick the camera onto the metal surface directly.

Note:

- **This quick start guide is for reference only. Slight difference may be found in user interface.**
- **All the designs and software here are subject to change without prior written notice.**
- **All trademarks and registered trademarks mentioned are the properties of their respective owners.**
- **If there is any uncertainty or controversy, please refer to the final explanation of us.**
- **Please visit our website or contact your local service engineer for more information.**

