



YLI ELECTRONIC

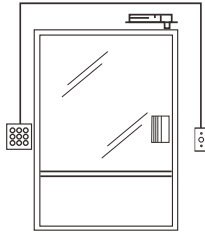
# Zinc Alloy Box

Model: MBB-811B-M

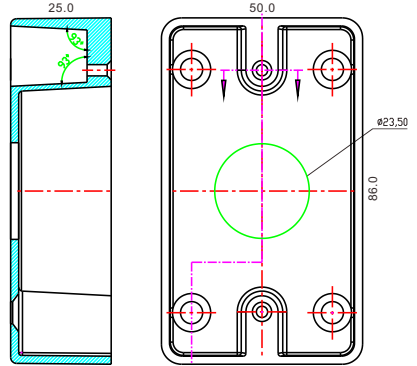


## Parameter

- Dimensions: 86Lx50Wx25H(mm)
- Standard instruction: Zinc alloy material and surface is coated with chrome
- Adaption accessories: PBK-810B/814B/818A 820B/ISK-841B
- Weight: 0.16kg



## Dimensions



YLI ELECTRONIC

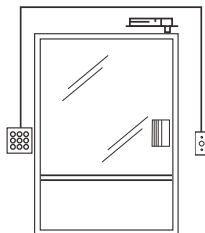
# Zinc Alloy Box

Model: MBB-811C-M



## Parameter

- Dimensions: 86Lx86Wx25H(mm)
- Standard instruction: Zinc alloy material and surface is coated with chrome
- Adaption accessories: ABK-800B/PBK-811B PBK-810C811B/814CLEL/818B/820C YKS-850/ISK-841C
- Weight: 0.18kg



## Dimensions

