



Wall Mount Door Holder

Model: YD-606

Basic Instruction

Dual Voltage Selectable(12VDC or 24VDC)
Emergency Release Button/Test Button
Wall Mounting Direction

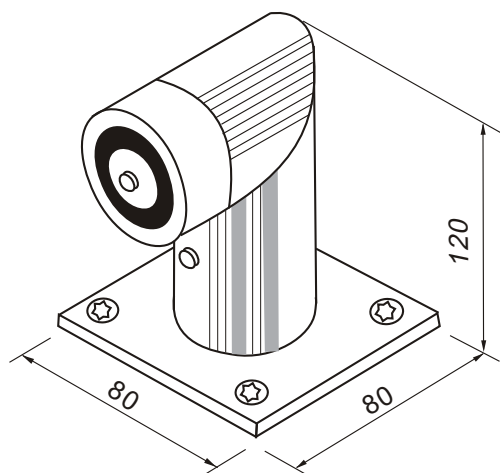
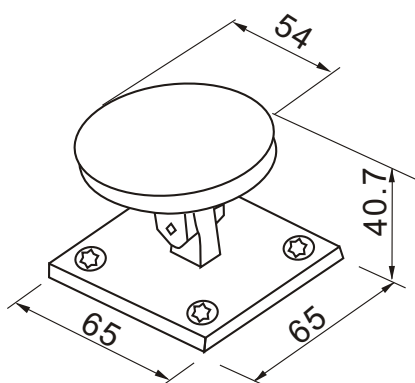
Low Current Consumption
Reliable Fail-Safe Mechanism
Durable and Silence Operation

Specifications

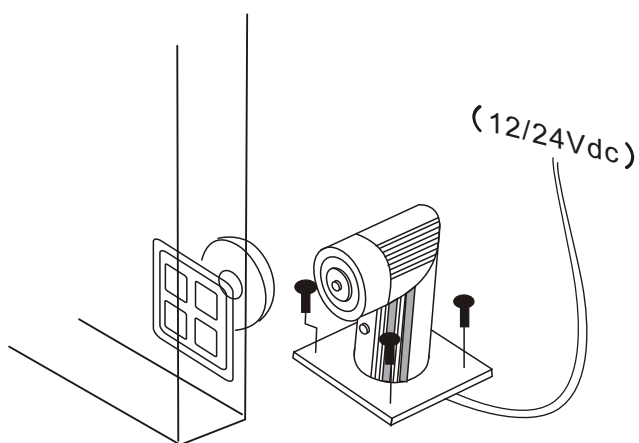
- Size: 80Lx80Wx120H(mm)
- Voltage: 12/24VDC+10%(Adjustment)
- Current Draw: 12V/140mA 24V/70mA
- Optional: Manual door release button
- Surface Temp: $\leq +20^{\circ}\text{C}$
- Operating Temp: $0\sim +55^{\circ}\text{C}$ (14-131F)
- Weight: 1.05kg

- Holding Force: 50kg(110Lbs)
- Suitable for: All Kinds of Single
Double Smokeproof Doors
- Suitable Humidity: 0~95%
- Finishes for Shell: High Temperature Paint
Environmental Protection Zinc
- Finishes for Armature: Zinc

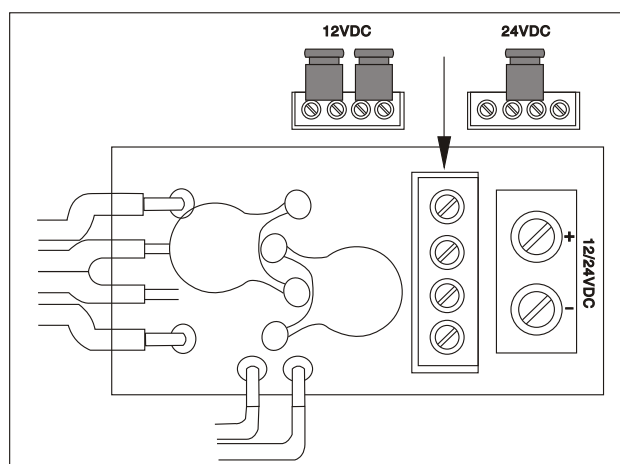
Dimension



Installation



Installation



Wiring Instructions