

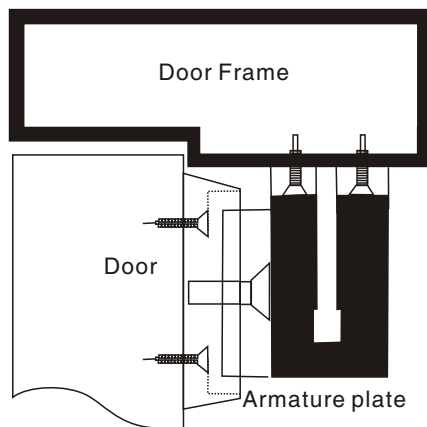


Installation Instruction of Armature Plate Housing

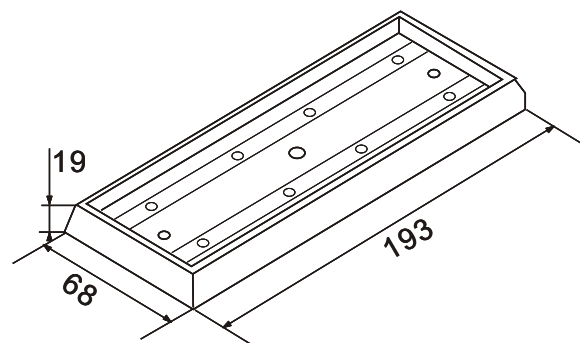
Specification

Model	Size(unit:mm)	Suitable For	Used With	Weight
ABK-180I	137Lx40Wx16H	Wooden door, Door with thick door frame	YM-180, YM-180D	0.22kg
ABK-280I	183Lx45Wx17H	Wooden door, Door with thick door frame	YM-280, YM-280(LED), YM-280T(LED) YM-280D, YM-280D(LED), YM-280TD(LED)	0.33kg
ABK-500I	193Lx68Wx19H	Wooden door, Door with thick door frame	YM-500, YM-500(LED), YM-500T(LED) YM-500D, YM-500D(LED), YM-500TD(LED)	0.36kg

Installation



Armature Plate Housing



Armature Plate Housing Dimension

Installation instruction

- If the door frame is too thick, armature plate housing is needed to be installed for the armature plate.
- Firstly, install the armature plate on the door frame.
- Fix the armature plate on the armature plate housing

