

# DS-KV8102-IP/VP

Plastic Villa Door Station

## MODEL

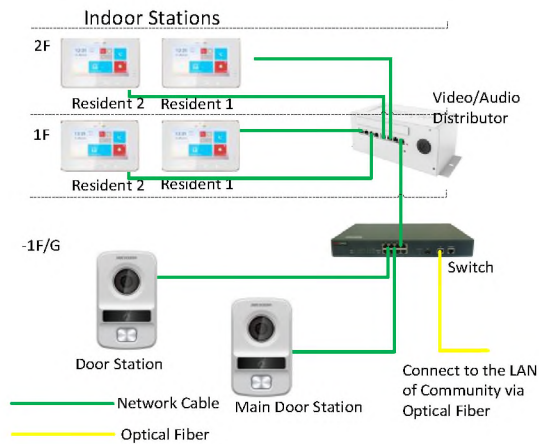
DS-KV8102-IP  
DS-KV8102-VP



## MAIN FEATURES

- Video intercom function
- HD video surveillance (Max. resolution: 1280×720@25fps, WDR, 120° wide angle)
- Self-adaptive light supplement
- Access control function
- Activating card via local station function (This function will be invalid if the card has been activated via iVMS-4200)
- Auto-uploading captured pictures to FTP or iVMS-4200 Client while unlocking the door
- Door magnetic alarm and tamper-proof alarm function
- Noise suppression and echo cancellation
- Remote upgrade, batch setting functions

## TYPICAL APPLICATION



## SPECIFICATION

Parameters		Model	DS-KV8102-IP	DS-KV8102-VP
System Parameters	Processor		High-Performance Embedded SOC Processor	
	Operation System		Embedded Linux OS	
Video Parameters	Camera		CMOS Low Illumination 1.3 MP HD Colorful Camera	
	Video Compression Standards		H.264	
	Resolution		1280 × 720	
	Video Frame		25 fps	
Audio Parameters	Audio Input		Built-in Omnidirectional Microphone	
	Audio Output		Built-in Loudspeaker	
	Audio Compression Standard		G.711 U	
	Audio Compression Rate		64 Kbps	
	Audio Quality		Noise Suppression and Echo Cancellation	
Access Control Parameters	Internal Card Reader		Built-in Card Reader	
	Door Button		Door Button for opening the Door	
	NO/NC		Supporting NO/NC Status Settings	
	Door Magnetic Detection		Detecting Door Magnetic Status	
Light Supplement	Light Supplement Mode		IR Supplement	Visible Light Supplement

Parameters		Model	DS-KV8102-IP	DS-KV8102-VP
Network Parameters	Ethernet	10M/100M Self-Adaptive Ethernet		
	Network Protocol	TCP/IP, SNMP, SIP, RTSP		
Alarm Parameters	Alarm Input	Door Magnetic Alarm; Tampering Alarm		
Device Interfaces	Internet Interface	1 RJ45 10M/100M Self-Adaptive Ethernet Interface		
	RS485	1 RS485 Half-duplex Port		
	I/O Input	4		
	I/O Output	1		
Other Parameters	Material	Plastic		
	Power Supply	Power Over Network Cable (DS-KAD606, DS-KAD612)/12 VDC		
	Consumption	≤10 W		
	Working Temperature	-40° C to +70° C (-40° F to 158° F)		
	Working Humidity	10% - 90%		
	IP Protection Level	IP65		
	Dimension	164 mm × 97 mm × 40.6 mm (6.46 × 3.82× 1.60")		
Certification	FCC, CE			