



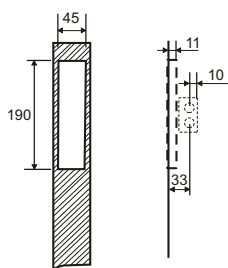
# Mortise Mount Magnetic Lock Manual

## Specification

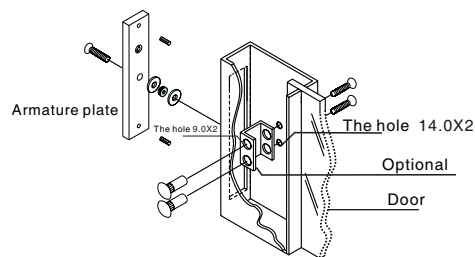
MODEL	SIZE(UNIT:MM)	VOLTAGE	CURRENT	HOLDING FORCE	DOOR
YM-180M	190Lx32Wx22.5H	12/24VDC	12V/300mA 24V/150mA	180kg(350Lbs)	Single Door
YM-180M-S	190Lx32Wx22.5H	12/24VDC	12V/300mA 24V/150mA	180kg(350Lbs)	Single Door
YM-280M	232Lx42Wx24.5H	12/24VDC	12V/500mA 24V/250mA	280kg(600Lbs)	Single Door
YM-280M-S	232Lx42Wx24.5H	12/24VDC	12V/500mA 24V/250mA	280kg(600Lbs)	Single Door
YM-350M	273Lx44Wx28H	12VDC (24VDC need order)	12V/480mA 24V/240mA	350kg(800Lbs)	Single Door
YM-350M-S	273Lx44Wx28H	12VDC (24VDC need order)	12V/480mA 24V/240mA	350kg(800Lbs)	Single Door
YM-500M	254Lx65.8Wx39H	12/24VDC	12V/420mA 24V/210mA	500kg(1200Lbs)	Single Door
YM-500M-S	254Lx65.8Wx39H	12/24VDC	12V/420mA 24V/210mA	500kg(1200Lbs)	Single Door

## Installation

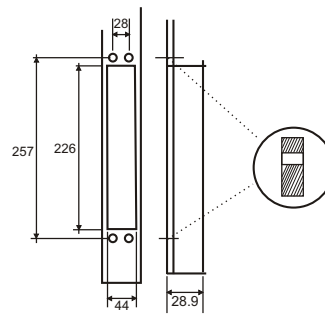
### For example: YM-350M (Unit:mm)



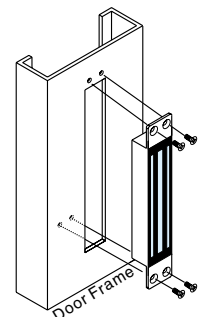
(1) Dig the hole



(2) Fix screws



(3) Dig the hole



(4) Fix screws



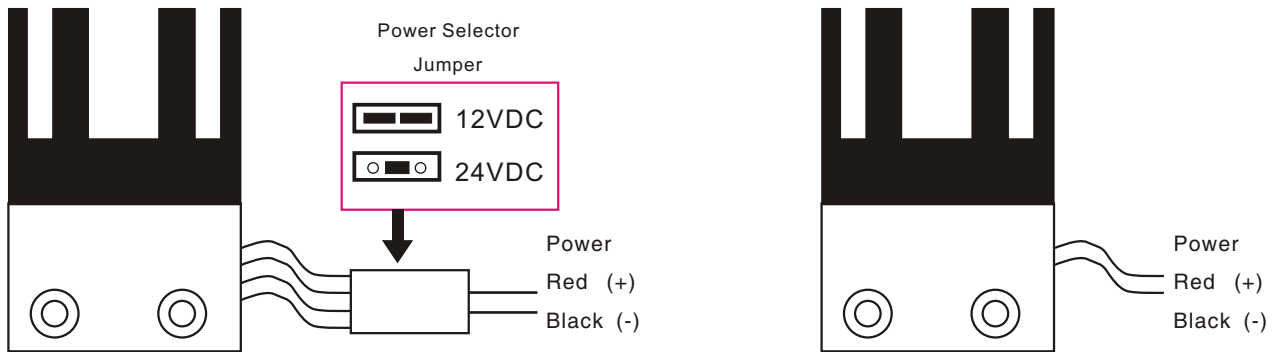
### NOTE:

Please Read Specification Before Attempting To Install Magnetic Lock

- Handle the equipment with care, damaging the mating surfaces of the magnet or armature plate may reduce locking efficiency.
- The magnet mounts rigidly to the door frame. The armature plate mounts to the door with hardware. Kit provided that allows it to pivot about its center to compensate for door wear and misalignment.
- Template must take place with the door in its normally closed position.
- Please twist screws of magnetic lock firmly
- Detect signal of Door status: The Limit of Dry reed and Dry contact is 0.5A/30VDC, Don't overload.



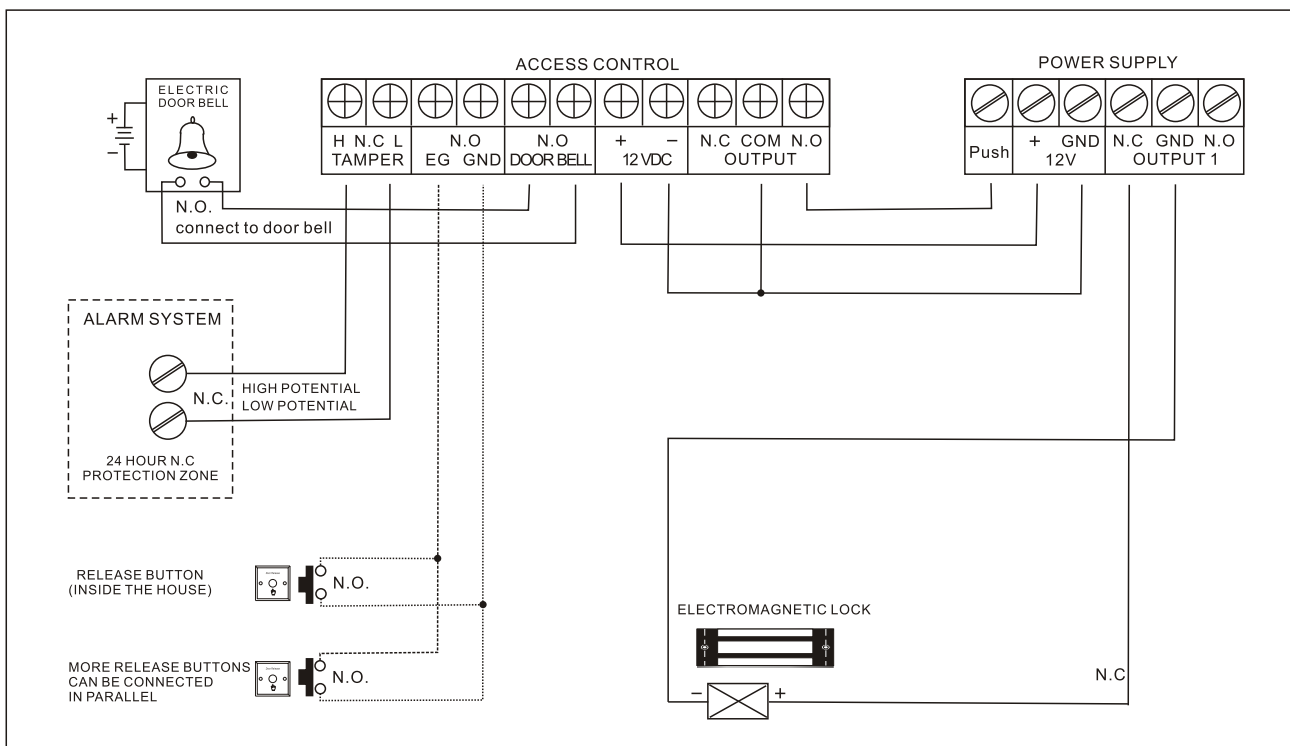
## Circuit board diagram



Suitable for:  
YM-180M YM-180M-S YM-280M  
YM-280M-S YM-500M YM-500M-S

Suitable for:  
YM-350M YM-350M-S

## Wire Connection



### ⚠ Remark:

A: Please don't fix the screw (screw of armature plate) tightly, let the rubber ring maintain proper elasticity.

B: Please check the jumper position, to know voltage is 12VDC or 24VDC.